

# MD1000

CORE DRILLING MACHINE

**UMG** UNIVERSAL  
MACHINERY  
GROUP®



*Core Drilling Machine*

[www.umg-parts.com](http://www.umg-parts.com)  
[www.umglimited.com](http://www.umglimited.com)

## Core Drilling Machine

MD1000; In NQ size 1.000 meters and HQ size 750 meters can drill down. This drilling machine is designed and manufactured specifically for your mine research with its Multifunction use. Manufactured with world standard equipment and materials, all parts and components of our machine can be easily found all over the world.

## + OUR OPTIONS

- Easy availability of all parts and equipments used in machine anywhere around the world
- Compatible with all occupational safety criteria
- Remote monitoring and management of adaption with high technology
- Easy and safe use
- Ability to make special production in all options according to requests and demands



## High Performance

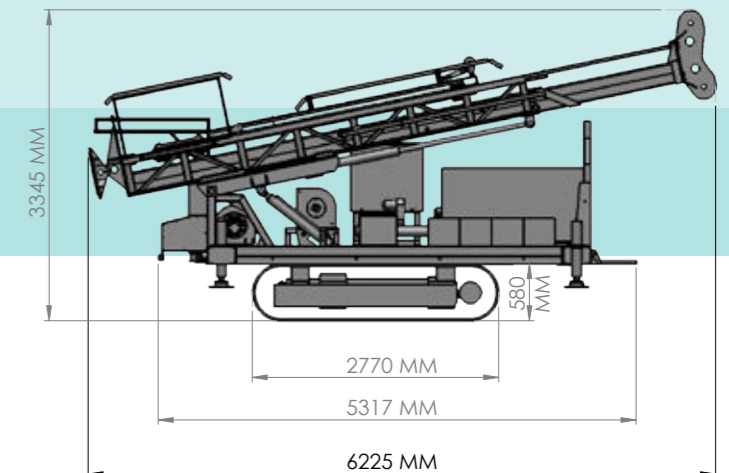
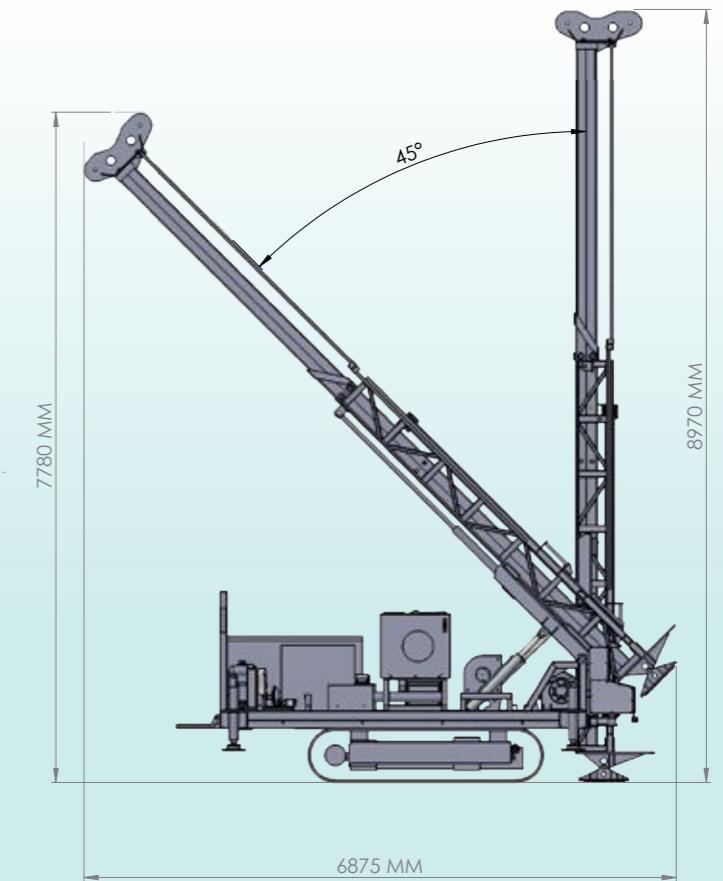
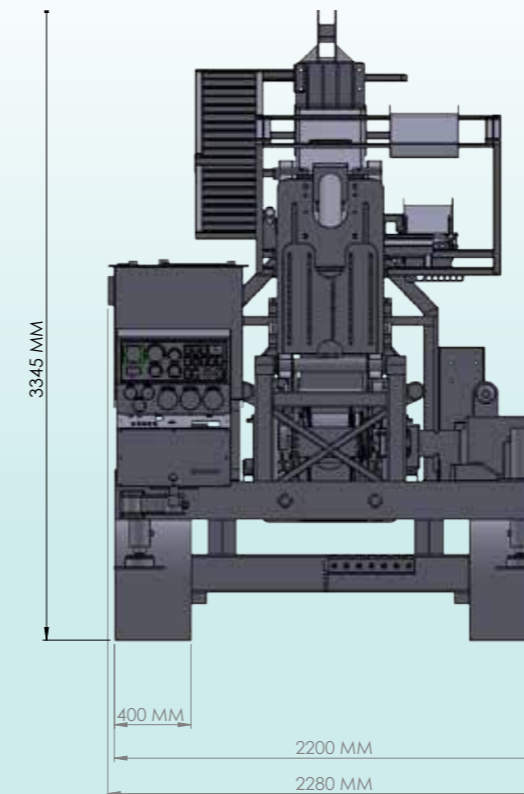
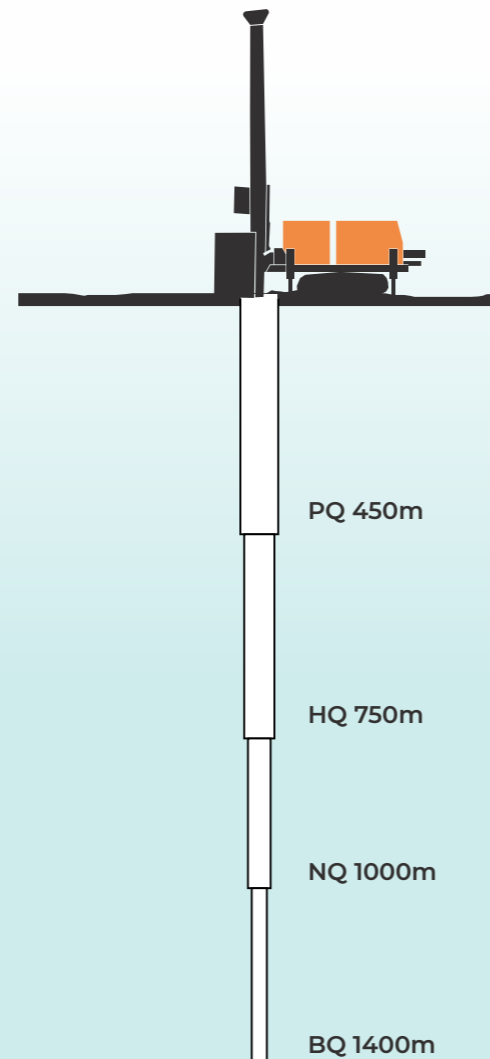
MD1000; we aim to provide the highest hydraulic and mechanically full-time performance, thanks to the high quality products that are also used and selected in our production. Aiming to provide you convenience and power in the most difficult land conditions, our machine is a multi-function drilling machine manufactured for you with its design and product quality.

## Work Safety

MD1000; manufactured according to all occupational safety criteria, our machine provides all HSE standards under land conditions and during operation. Our company supports the zero accidental policy with both our personal trainings and our occupational safety equipment on the machine.

## Ease of Use

MD1000; has all the analogue and digital indicators on the machine. Our panel provides the opportunity to monitor all data at the same time. It is designed for easy and simple use from difficult land conditions. This panel is also supported with remote monitoring and usage module and can be managed from thousands of kilometers by the moving panel and remote management module.



## Main Parts:

- Hydraulic telescopic mast
- Convenient control panel
- Optional diesel engine
- Hydraulic jacks
- Main crane and wireline crane
- 200 liter fuel tank
- Triplex mud pump
- The best crawler brands in the world

<b>DRILLING ENGINE</b>	Between 45° Horizontal - 90° Vertical		
Feed Stroke	335cm		
Feed Pull	18.000kg		
Feed Thrust	24.000 kg		
Mast Features	<ul style="list-style-type: none"> <li>↗ Telescopic Folding Mast</li> <li>↗ 6 mt Rod Pul</li> <li>↗ Independent 2 Hydraulic Piston</li> <li>↗ Hydraulically Side Moving Rotation Unit</li> <li>↗ Main Winch on the Mast</li> <li>↗ Emergency Safety Wire Ropes</li> </ul>		
Winch and Wire Ropes			
Main Winch	<ul style="list-style-type: none"> <li>↗ BRADEN</li> <li>↗ Fixed Speed Hydraulic Powered Motor</li> <li>↗ 9.000 Kg. Pull Up Capacity</li> <li>↗ 15m/min Pull Up Speed</li> <li>↗ 18mm Dia Wire Rope</li> </ul>		
Wireline Winch	<ul style="list-style-type: none"> <li>↗ 37 kN Free Drum Force</li> <li>↗ 8,9 kN Full Drum Force</li> <li>↗ 130 m/min Free Drum Speed</li> <li>↗ 550 m/min Full Drum Speed</li> <li>↗ 6 mm DIA , 1.600m Steel Rope</li> </ul>		
Crawler	STRICKLAND SRL 12 Ton		



UNIT	BRAND	FLOW	PRESSURE
MAIN HYDRAILIC PUMP	Kawasaki	112 cc	350 bar
↗ Variable Displacement Axial Pump			
↗ Load Sensing			
Second Hydraulic (Piston) Pump	Kawasaki	45 cc	350 bar
Thirt Hydraulic Pump (Piston) Pump	Rexroth/ Kasawasaki	28 cc	280 bar
Forth Hydraulic (Gear) Pump	Casappa	19 cc	200 bar
Fifth Pump (Gear) Pump	Casappa	8 cc	200 bar
Wireline Hydromotor	Danfoss	400 cc	
Mud Pump Hydromotor	Danfoss/ Eaton	80 cc	
Main Winch Hydromotor	Rexroth/Reciprocating	80 cc	
Hydraulic Controller Units	Danfoss/ Bucher	190 Lt	
Control Panel Hydraulic Components	Sun/ Oleoweb		
Hydraulic Tank Capacity	400 Lt		
Cooler	Akg	DOUBLE COOLING	
Filters	RETURN , SUCTION , PRESSURE AND ROTARY UNIT		
Pressure Tube Pump Connection	Gas Accumulator		

**DRILL MAST AND FEED SYSTEM**

**HYDRAULIC FEATURES**



**ROTATION UNIT**  
( LF230 LONGYEAR TYPE )

Hydromotor	107 cc	REXROTH	
Chuck Inner Diameter	119mm		
Jaw Quantity	7 Pieces		
Axial Holding Capacity	184.700 N		
Jaw Type	Hydraulic Compression Spring Opening		
Mechanical Transmission	Funk 4 Gear		
Main Gear Ratio	2:1		
Transmission	Gear Ratios	RPM	Torque
1.	6,27:1	160 rpm - 260 rpm	9.784 Nm - 6.002 Nm
2.	3,12:1	320 rpm - 522 rpm	4.868 Nm - 2.986 Nm
3.	1,75:1	571 rpm - 930 rpm	2.730 Nm - 1.675 Nm
4.	1,00:1	1.000 rpm - 1.630 rpm	1.560 Nm - 957 Nm

**ENGINE**

ENGINE MODUL	Cummins / Ford / Volvo / Mercedes-Benz
Maximum Power	260 Hp - 320 Hp @2100 rpm
Full Tank Capacity	200 Lt
Emission Certification	Tier-4 Certification
Tork Values	1700 Nm @ 1300 rpm
Control Unit	Electronic Control (ECM)

**DRILLING CAPACITIES**

Wireline Rod Name	Outer dimensions (mm)	Dry Well (m)	Wet Well (m)
BQ	55,60	1.000	1.400
NQ	69,90	750	1.000
HQ	88,90	400	750
PQ	114,00	200	450



# LMG UNIVERSAL MACHINERY GROUP®

İlk Yerleşim mah.  
1910 Sokak, No : 1  
Batıkent  
Yenimahalle  
Ankara / Turkey

T. +90 312 394 40 68  
T. +90 312 394 40 69  
M. +90 531 597 29 86

[universal@umglimited.com](mailto:universal@umglimited.com)

[www.umg-parts.com](http://www.umg-parts.com)

[www.umglimited.com](http://www.umglimited.com)